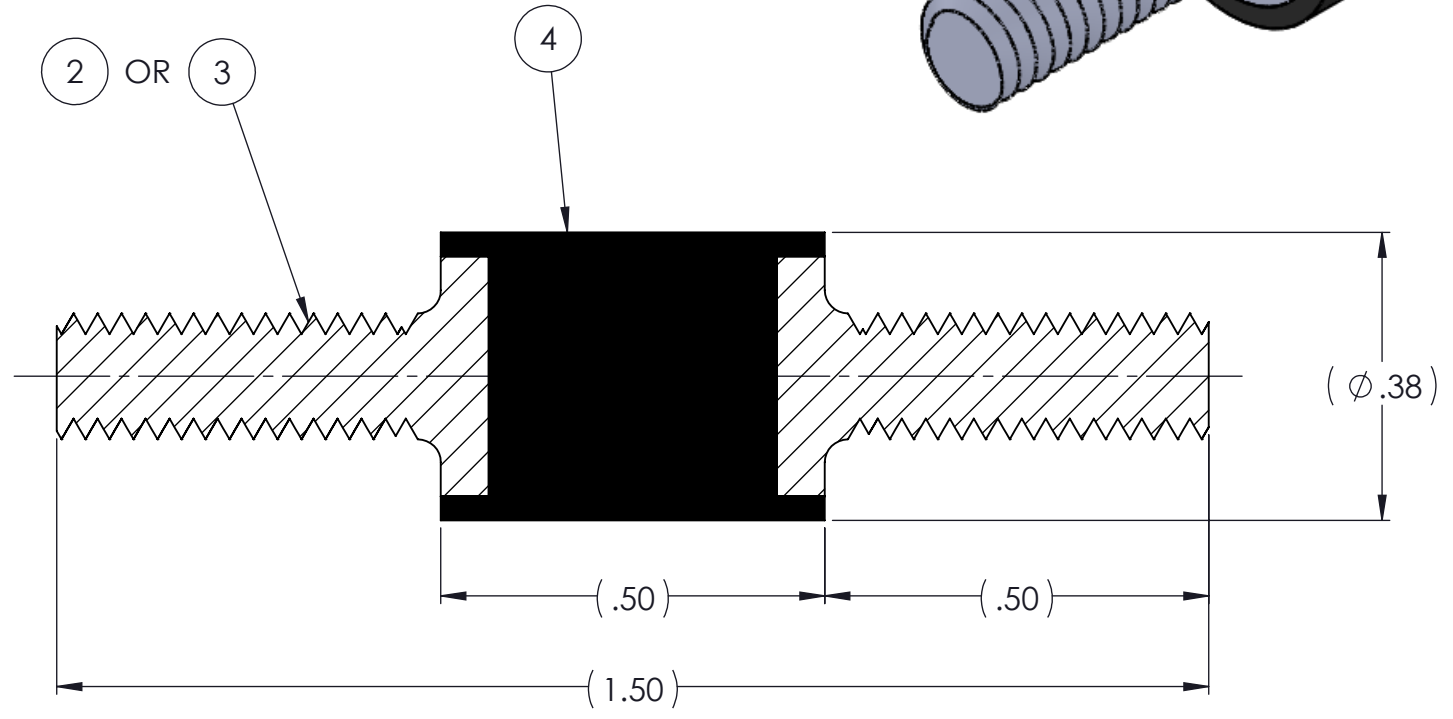
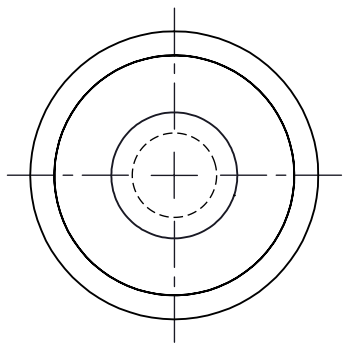
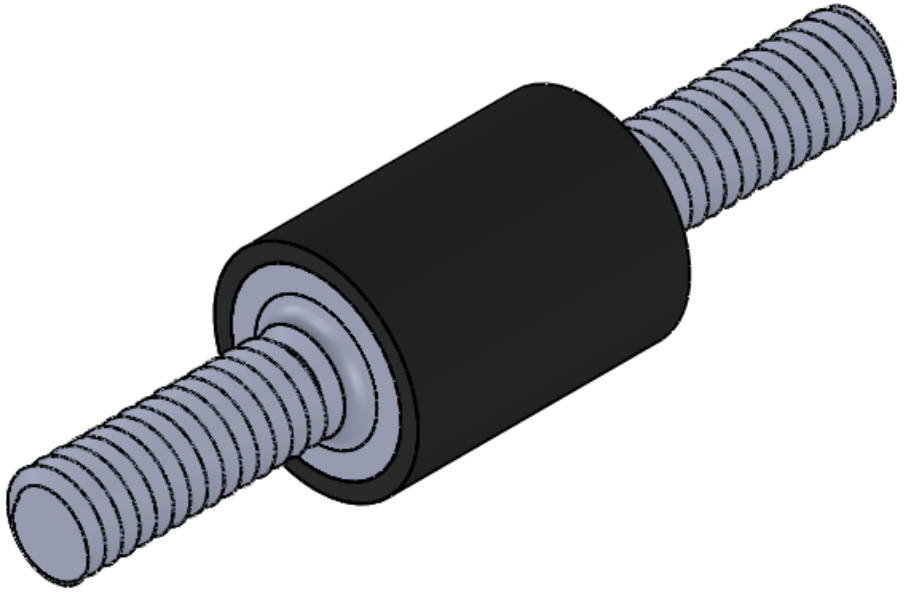


REVISIONS			
REV.	DESCRIPTION	DATE	APPROVED
1	INITIAL RELEASE OF DRAWING	5/28/2014	BS
2	ADD ITEM 3 AND NOTE 3	8/15/2014	BS

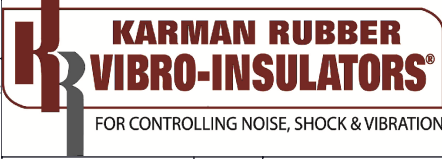


QTY.	DESCRIPTION	PART NUMBER	MATERIAL OR NOTES	ITEM
AR	ELASTOMER	K80-3	⚠	4
2	MK800-M4	MK800-M4		3
2	MK800	MK800		2
	K80	K80		1

- NOTES:
- ⚠ MATERIAL: ELASTOMER AND DUROMETER OF 40, 50, 60 OR 70 TO BE SPECIFIED.
  - 2 ALL DIMENSIONS ARE REFERENCE.
  - 3 AVAILABLE WITH THREADS OF 8-32 UNC X 1/2" AND M4 X .7 X 1/2".

PROPRIETARY AND CONFIDENTIAL		SIGNATURE	DATE
THE INFORMATION CONTAINED IN THIS DRAWING IS THE SOLE PROPERTY OF KARMAN RUBBER. ANY REPRODUCTION IN PART OR AS A WHOLE WITHOUT THE WRITTEN PERMISSION OF KARMAN RUBBER IS PROHIBITED.	DRAWN	B. SENEAL	05/28/2014
	CHECK	S. BROWN	05/28/2014
	ENGR	B. SENEAL	05/28/2014
	QA		
	STRESS		
	APPR		

UNLESS OTHERWISE SPECIFIED:  
 DIMENSIONS ARE IN INCHES  
 TOLERANCES:  
 .X = ± 0.031  
 .XXX = ± 0.005  
 ANGLES = ± 1°  
 INTERPRET GEOMETRIC TOLERANCING PER: ASME Y14.5M-1994



TITLE: **K80 SERIES VIBRO-INSULATOR**  
[WWW.KARMAN.COM](http://WWW.KARMAN.COM)

SIZE	CAGE CODE	DWG. NO.	REV
<b>B</b>		<b>K80</b>	<b>2</b>
DO NOT SCALE DRAWING		SCALE: 4:1	WEIGHT: .10 OZ.
		SHEET 1 OF 1	